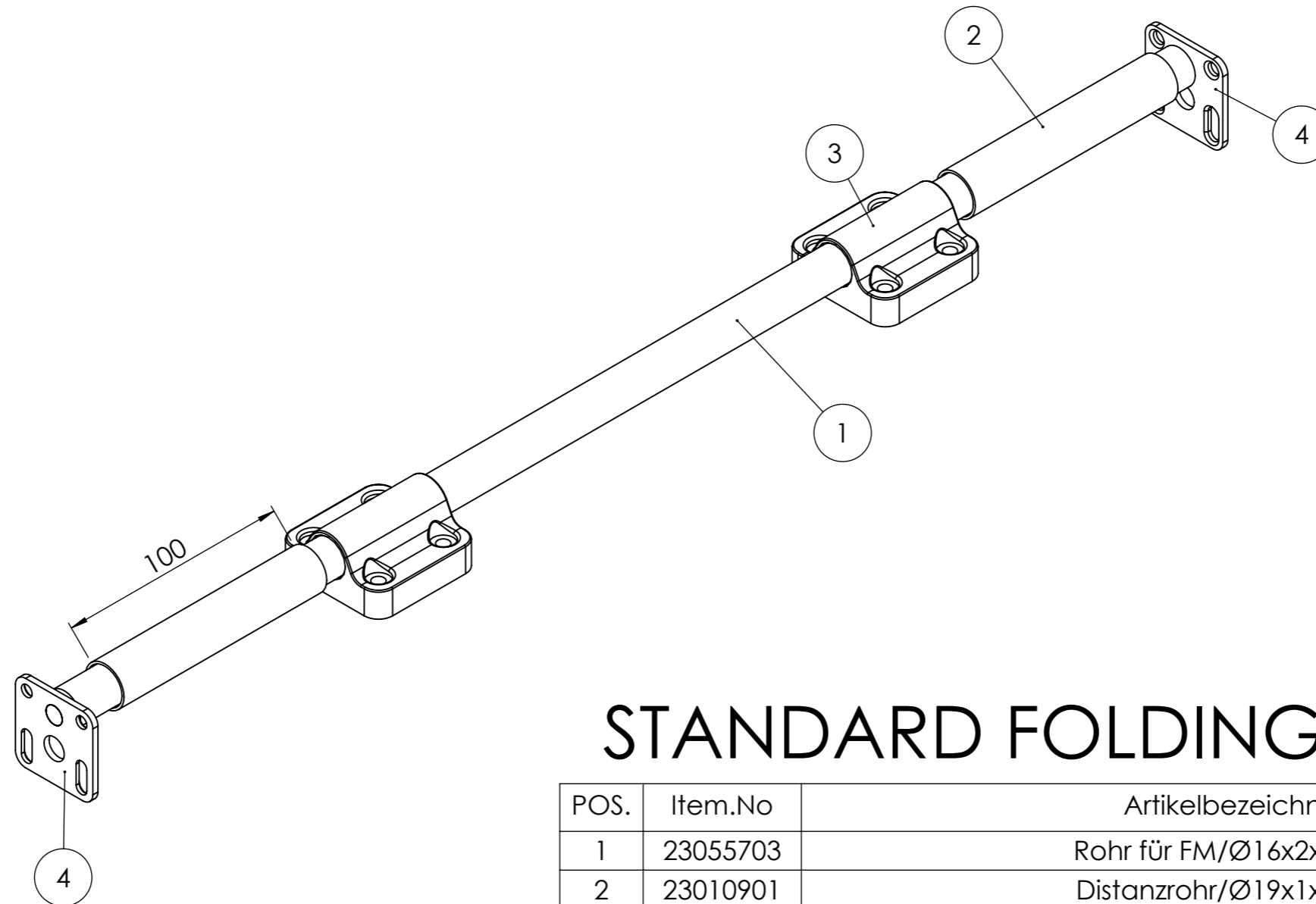
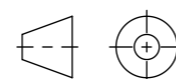


# LIEFERZUSTAND / DELIVERY STATE



## STANDARD FOLDING-MECHANISM

POS.	Item.No	Artikelbezeichnung	Menge
1	23055703	Rohr für FM/Ø16x2x550/E90	1
2	23010901	Distanzrohr/Ø19x1x100/Alu	2
3	16079	Rohrschelle/50x50x16/4-Loch/PA6 GF30/silber	2
4	14087	Stütz.-Abrollelement, Rolle Ø11,7	2



DIN ISO 128-30

Description:

**FM/Ø16x2x560/2R+2x100mm**

Surface: galvanized

Material: diverse

Weight: 0.53 kg

**PÖTTKER**

Transforming furniture

Signed

Vandyck

20.03.2014

Tested

J. Vaquero

15.05.2019

Company

Second Company:

General tolerance: DIN ISO 2768 - m

Item No: **23056302**

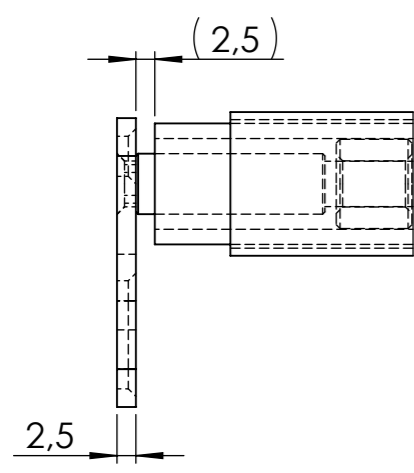
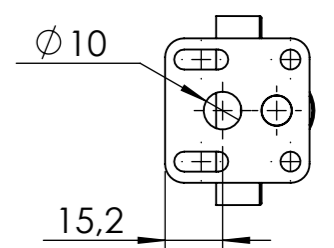
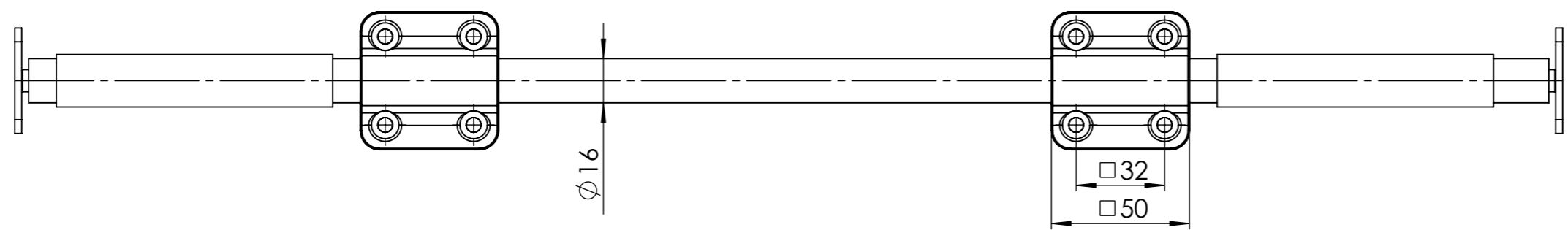
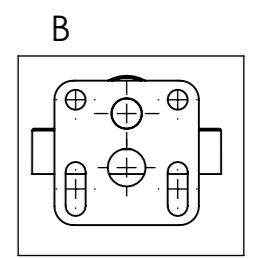
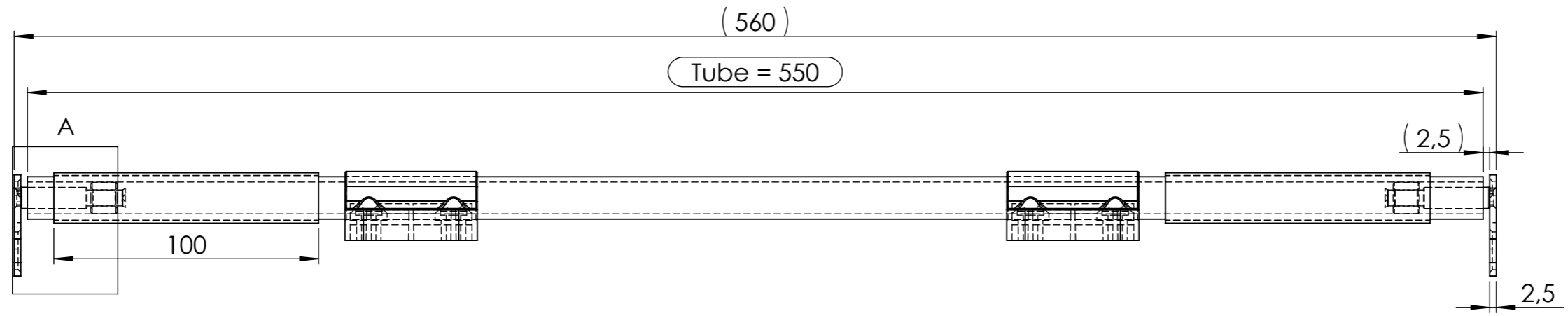
Scale 1:2

Page 1/2

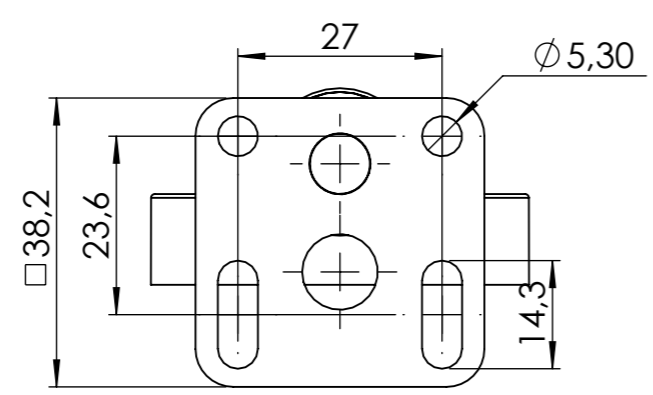
**A3**

All property rights and rights to exploitation of copyright for this drawing data remain ours; they may not be made available to third parties without our consent.

All property rights and rights to exploitation of copyright for this drawing data remain ours; they may not be made available to third parties without our consent.



**DETAIL A**  
MAßSTAB 1 : 1



**DETAIL B**  
MAßSTAB 1 : 1

	<b>Description:</b> FM/Ø16x2x560/2R+2x100mm				
	Surface: galvanized		Material: diverse		Weight: 0.53 kg
<b>PÖTTKER</b> Transforming furniture	<b>Name</b>	<b>Date</b>	<b>Company</b>		
	Signed: Vandyck	20.03.2014	Second Company:		
General tolerance: DIN ISO 2768 - m		Item No: <b>23056302</b>	Scale: 1:2	Page: 2/2	<b>A3</b>